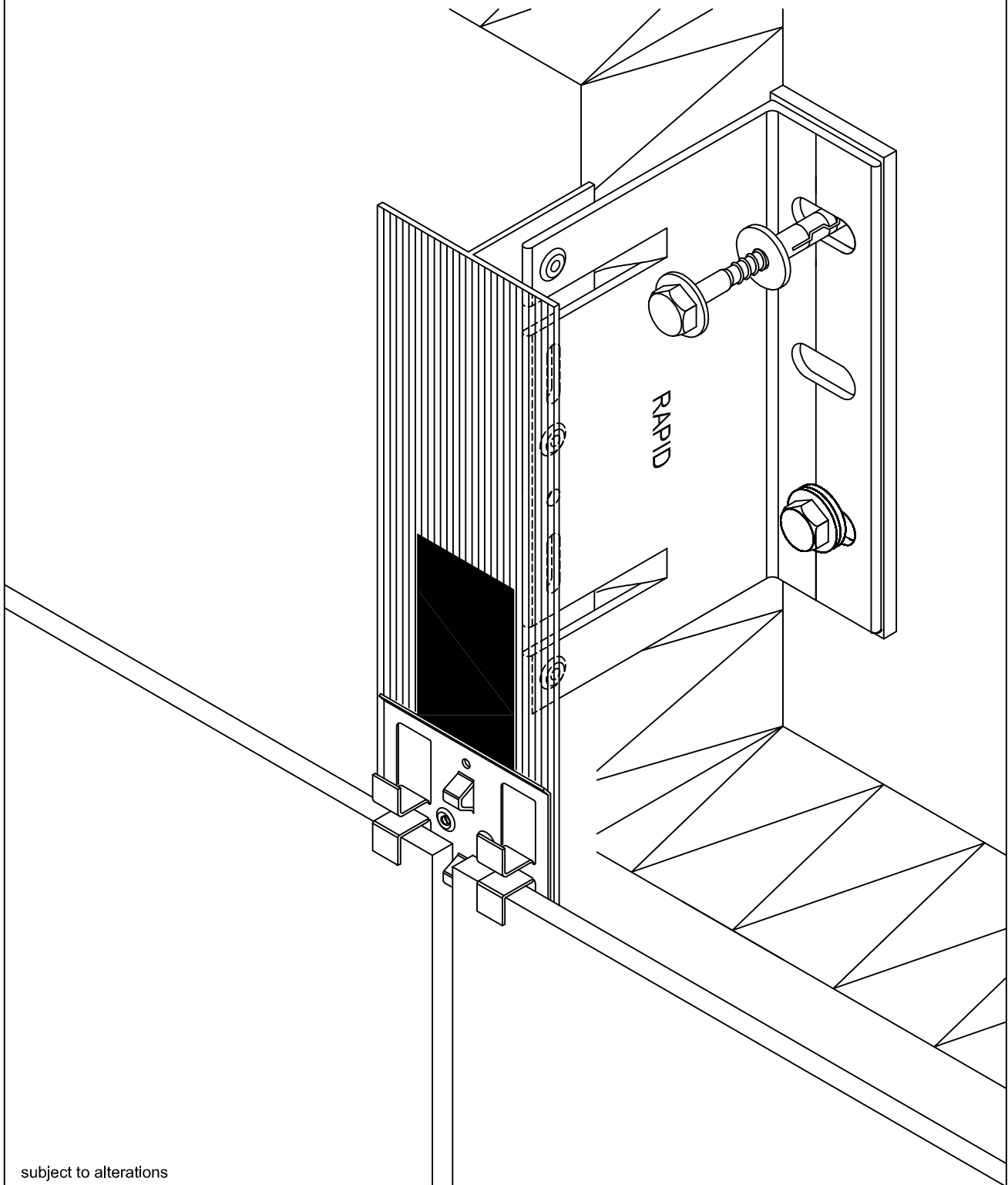


Framework - System NFT-SL RAPID 270

ceramic panels, clamped

Isometry

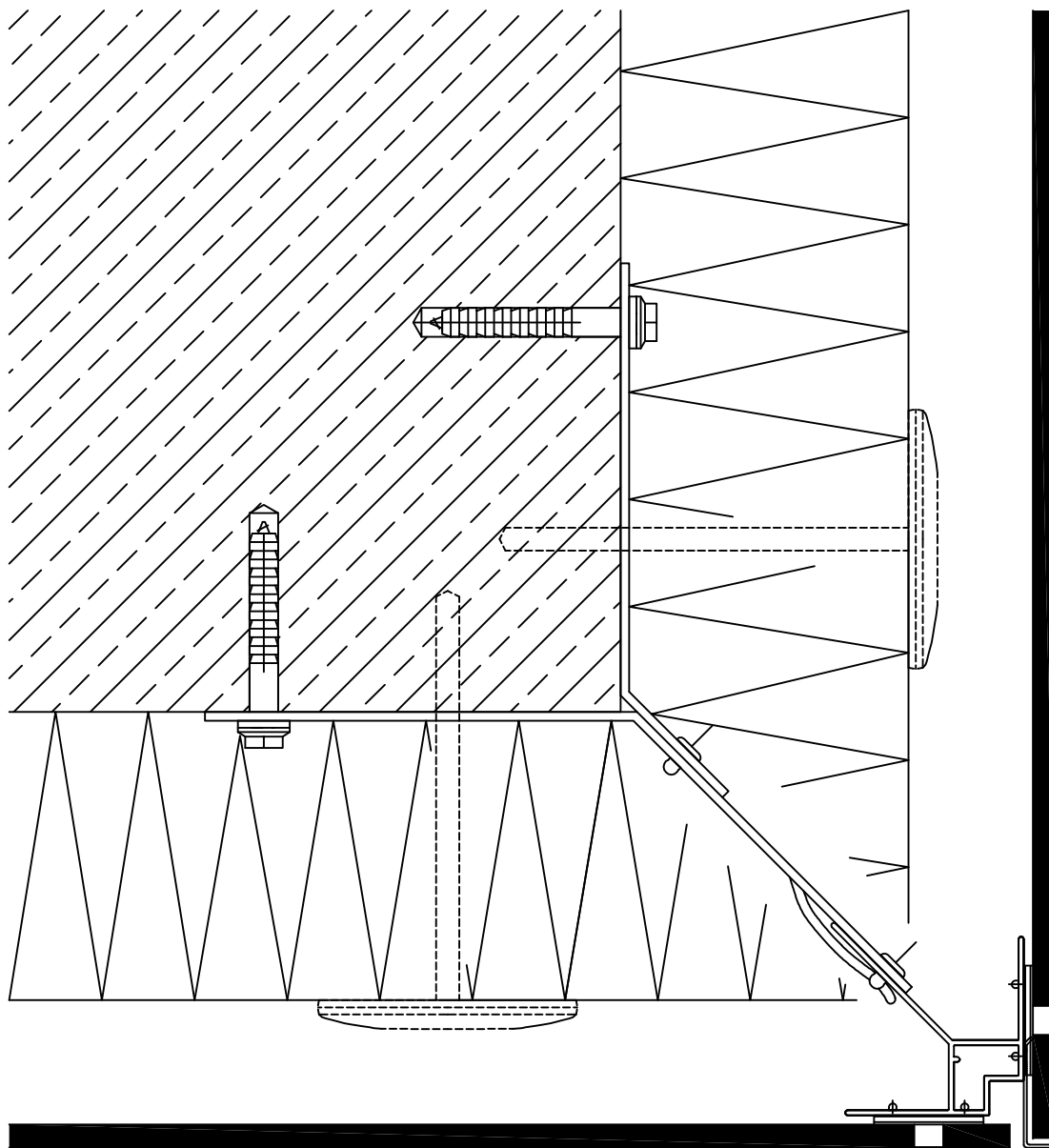


subject to alterations

Framework - System NFT-SL RAPID 270

ceramic facing tiles, clamped fixing

section horizontal - corner



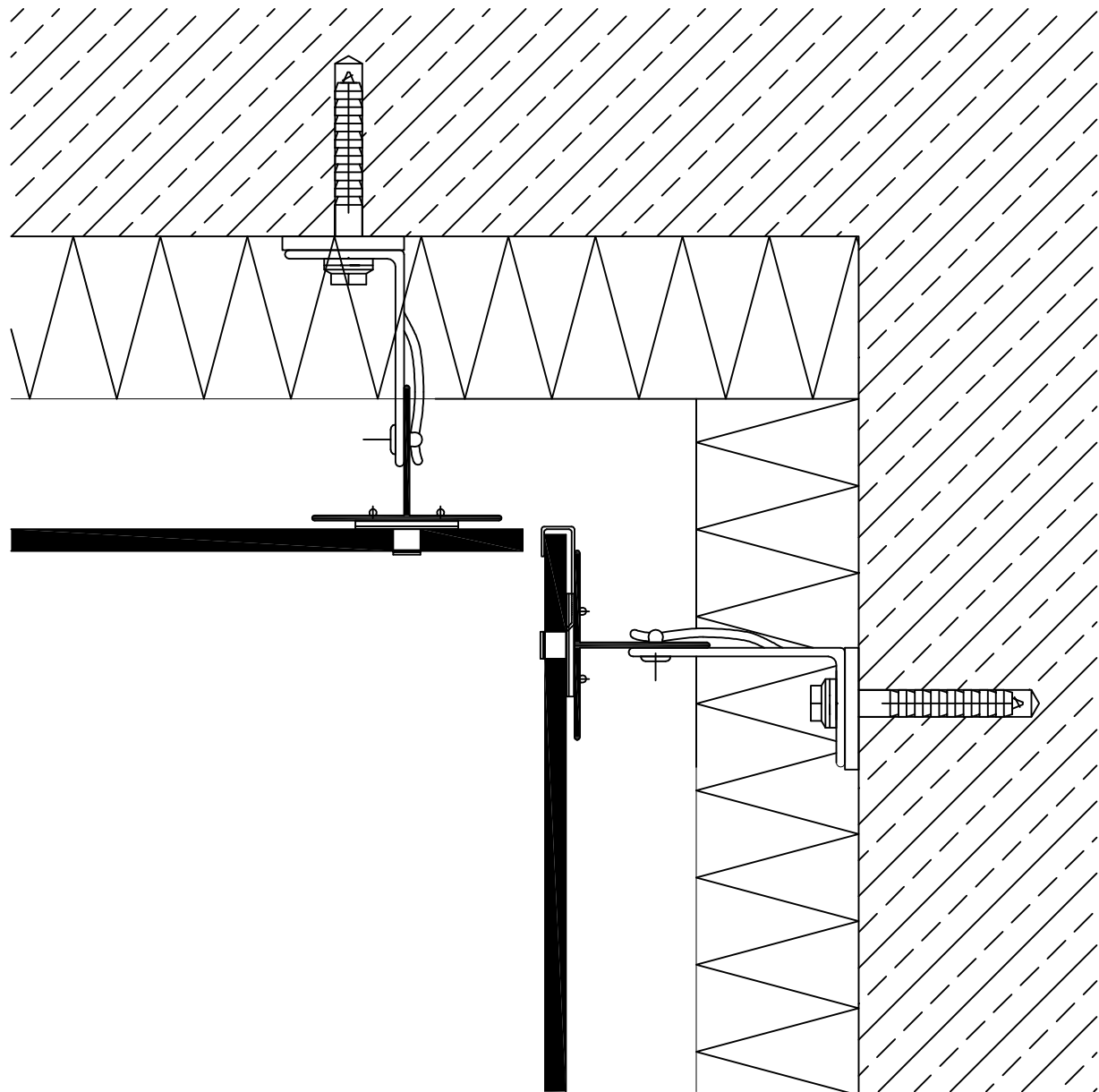
subject to alteration

comply with approval regulation

Framework - System NFT-SL RAPID 270

ceramic facing tiles, clamped fixing

section horizontal - inside corner



subject to alterations

comply with approval regulation

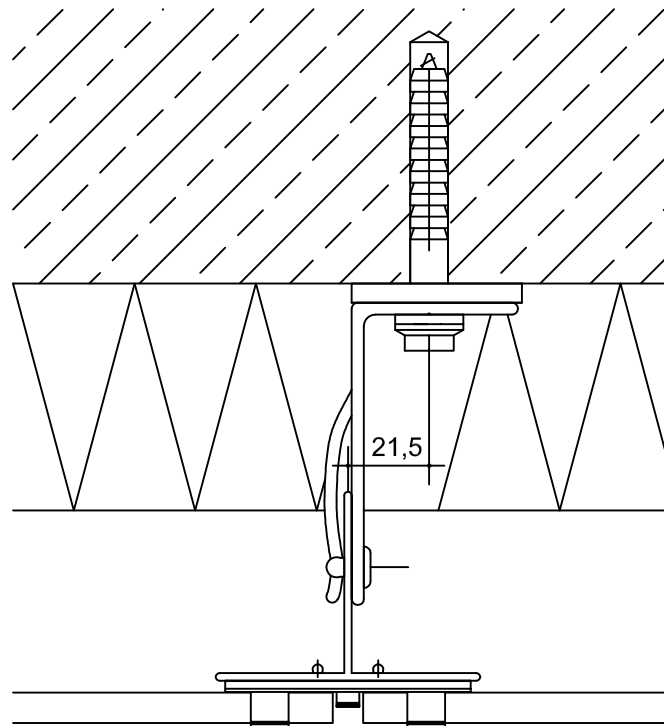
Framework - System NFT-SL RAPID 270

ceramic facing tiles, clamped fixing

section horizontal - joint of ceramic facing tiles

plug with screw, thermostop, wallbracket RAPID A, rivet or drilling screw, PVC-tape, clamp

by others: ceramic facing tiles with fixing and clamp



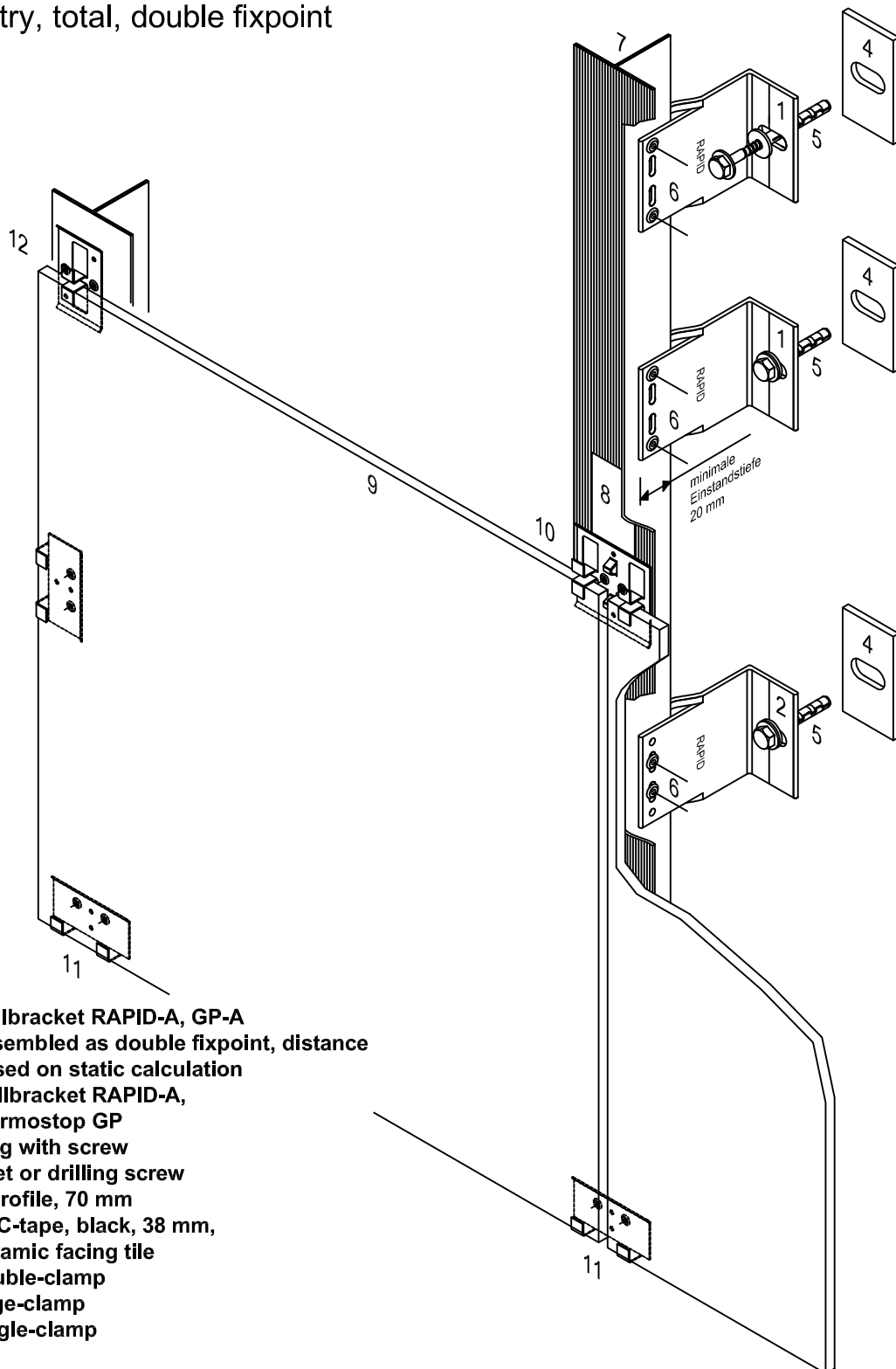
subject to alterations

comply with approval regulation

Framework - System NFT-SL RAPID 270

ceramic facing tile, clamped

Isometry, total, double fixpoint



- 1 wallbracket RAPID-A, GP-A assembled as double fixpoint, distance based on static calculation
- 2 wallbracket RAPID-A,
- 4 thermostop GP
- 5 plug with screw
- 6 rivet or drilling screw
- 7 T-profile, 70 mm
- 8 PVC-tape, black, 38 mm,
- 9 ceramic facing tile
- 10 double-clamp
- 11 edge-clamp
- 12 single-clamp

subject to alterations

comply with approval regulation