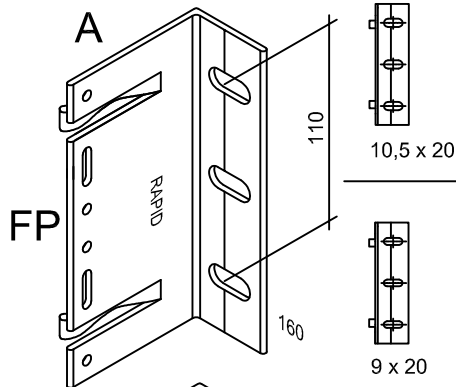


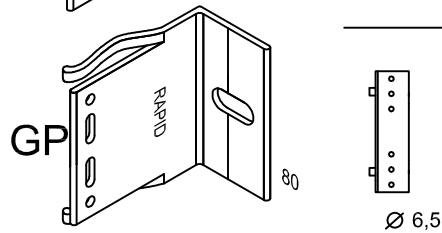
Framework - System NFT-SL RAPID

bracket, standard variations, F 25 - EN AW-6063 T66



Item-No.:

FP: 20061 up to 20261 concrete / brickwall
 GP: 40061 up to 40261 $\varnothing 10$



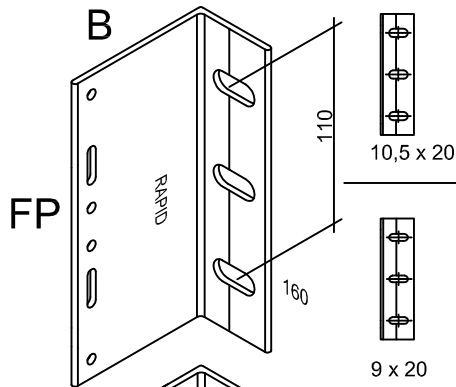
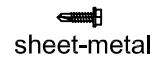
Item-No.:

FP: 20063 up to 20263 concrete
 GP: 40063 up to 40263 $\varnothing 8$



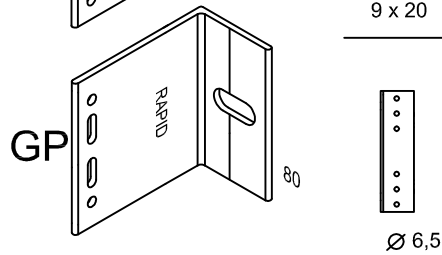
Item-No.:

FP: 20065 up to 20265 sheet-metal
 GP: 40065 up to 40265 wood / plywood $\varnothing 6,3$



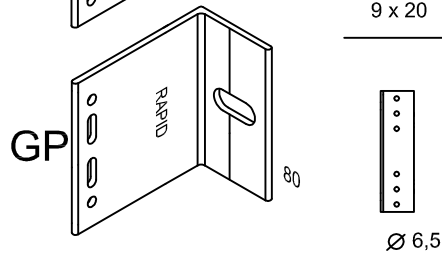
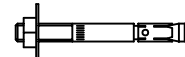
Item-No.:

FP: 20062 up to 20262 concrete / masonry
 GP: 40062 up to 40262 $\varnothing 10$



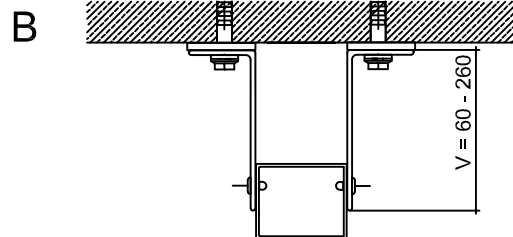
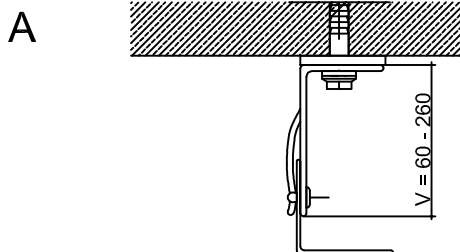
Item-No.:

FP: 20064 up to 20264 concrete
 GP: 40064 up to 40264 $\varnothing 8$



Item-No.:

FP: 20066 up to 20266 sheet-metal
 GP: 40066 up to 40266 wood / plywood $\varnothing 6,3$



engineering change with reservation