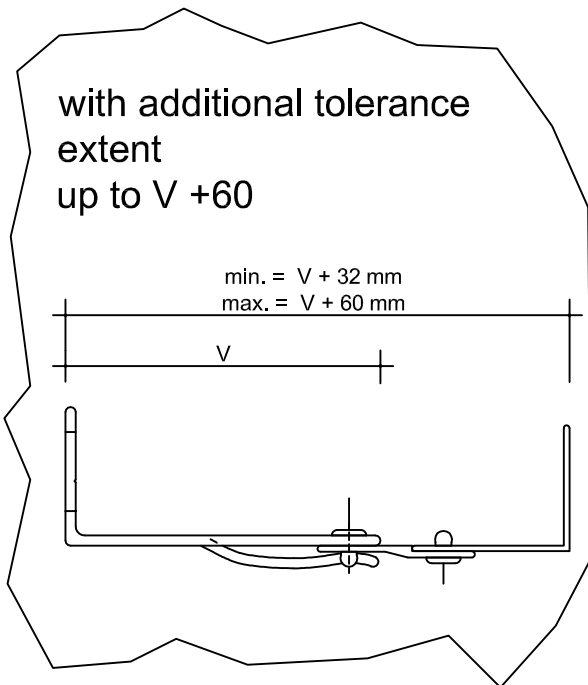
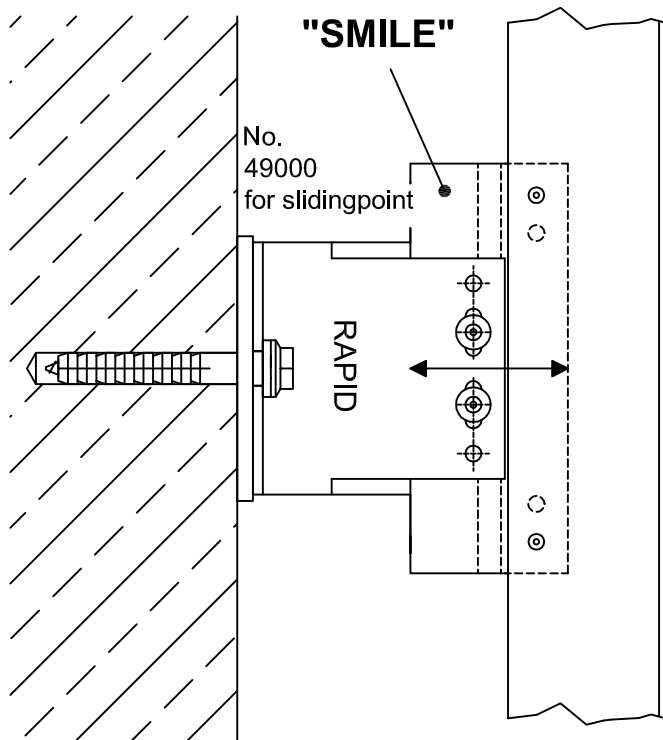
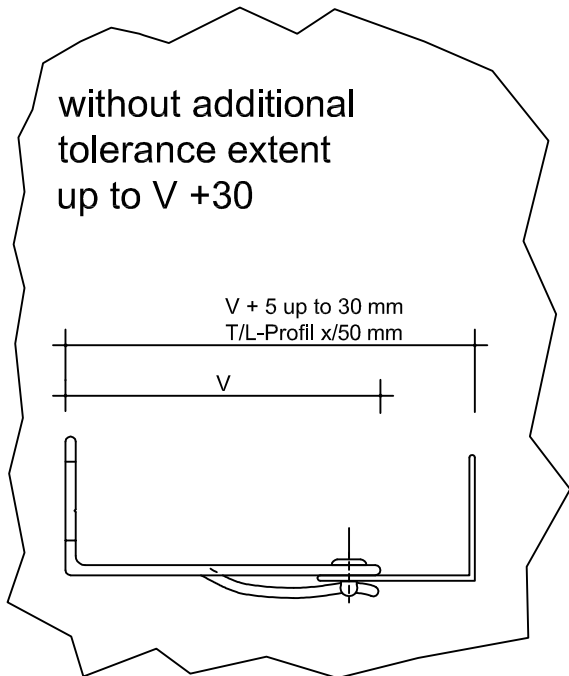
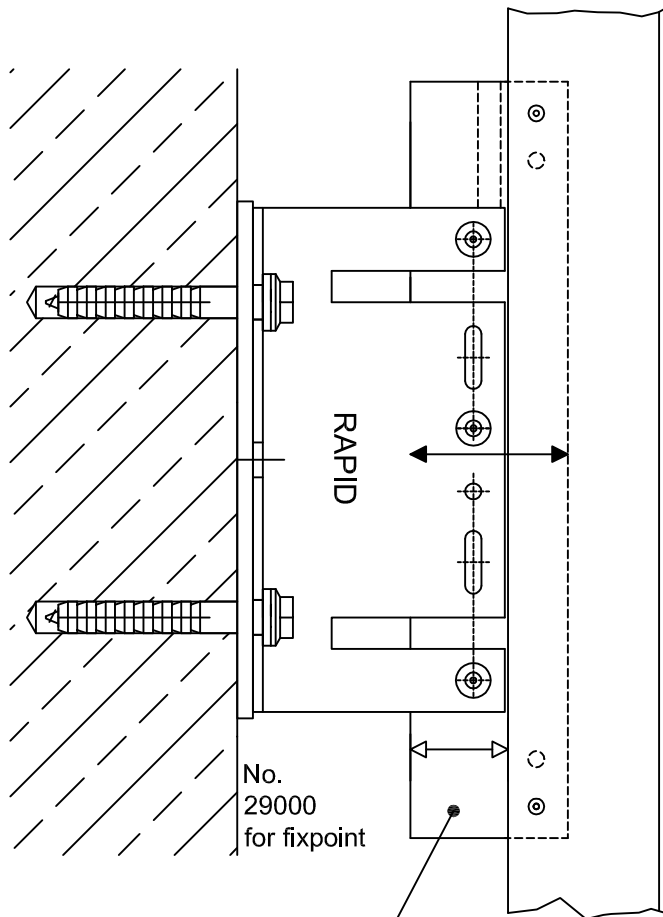


Framework - System NFT-SL RAPID

additional tolerance extent, expansion of 5,5 cm

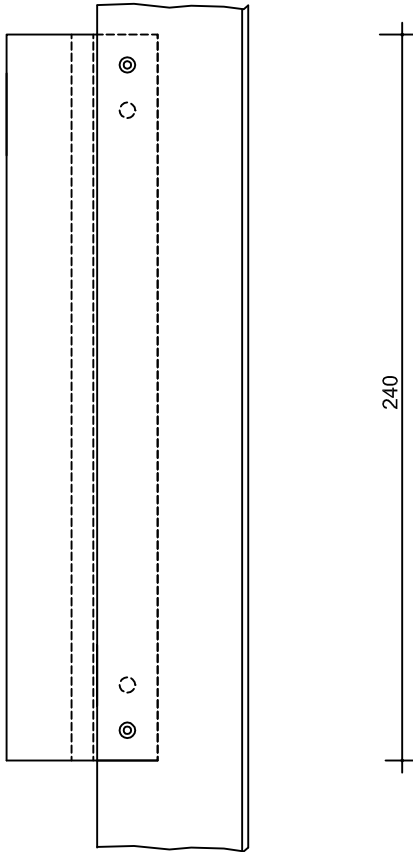


subject to alterations

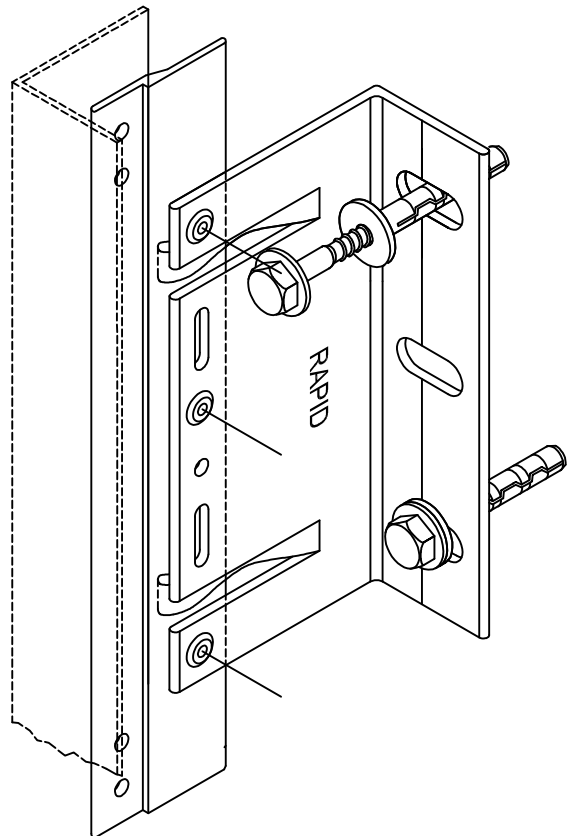
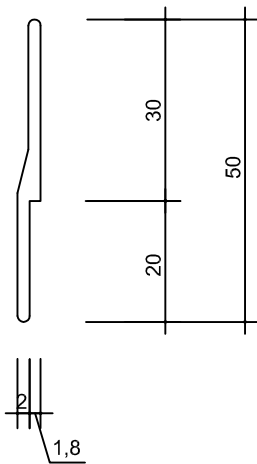
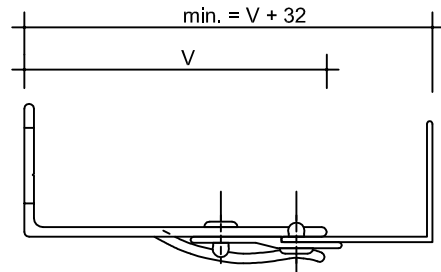
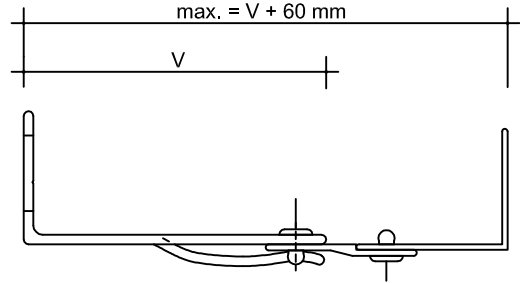
Framework - System NFT-SL RAPID

adapter-piece for fixpoint-bracket with L-profile

Isometry / section horizontal / sight



No.
29000

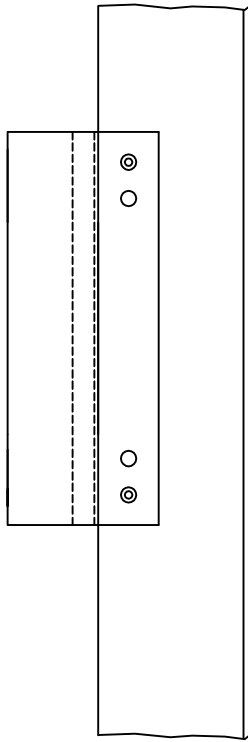


subject to alterations

Framework - System NFT-SL RAPID

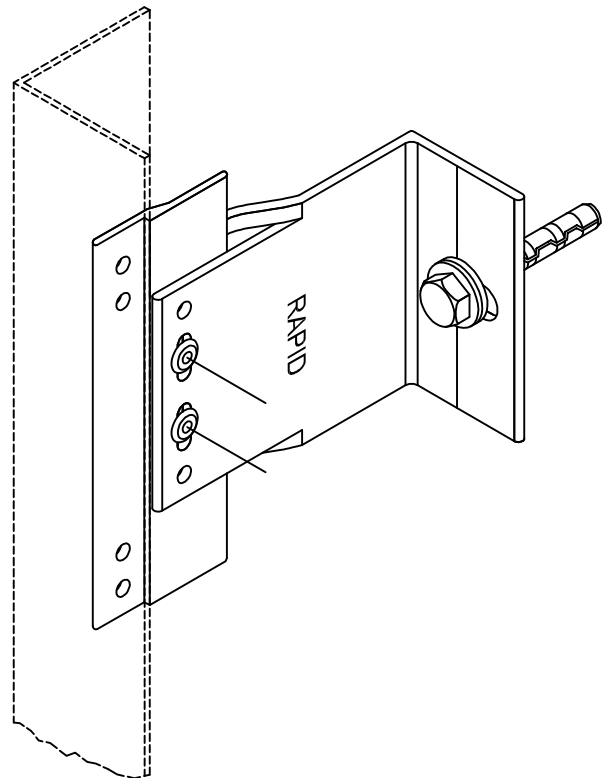
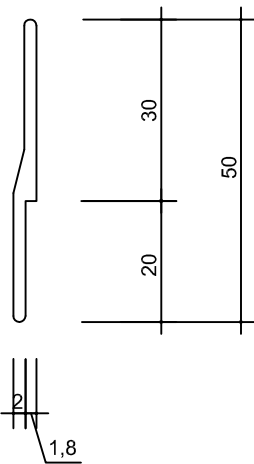
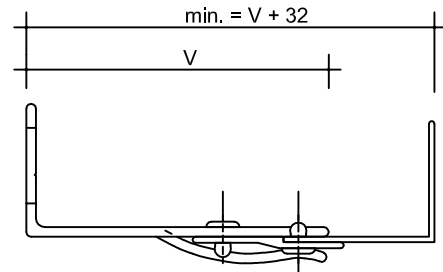
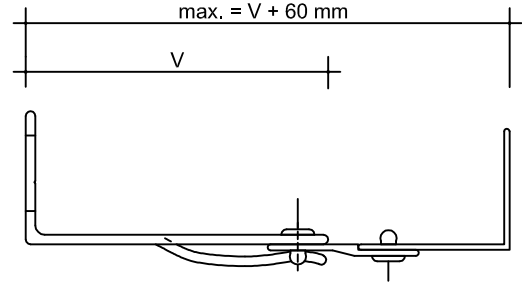
adapter-piece for slidingpoint-bracket with L-profile

Isometry / section horizontal / sight



130

No.
49000



subject to alterations