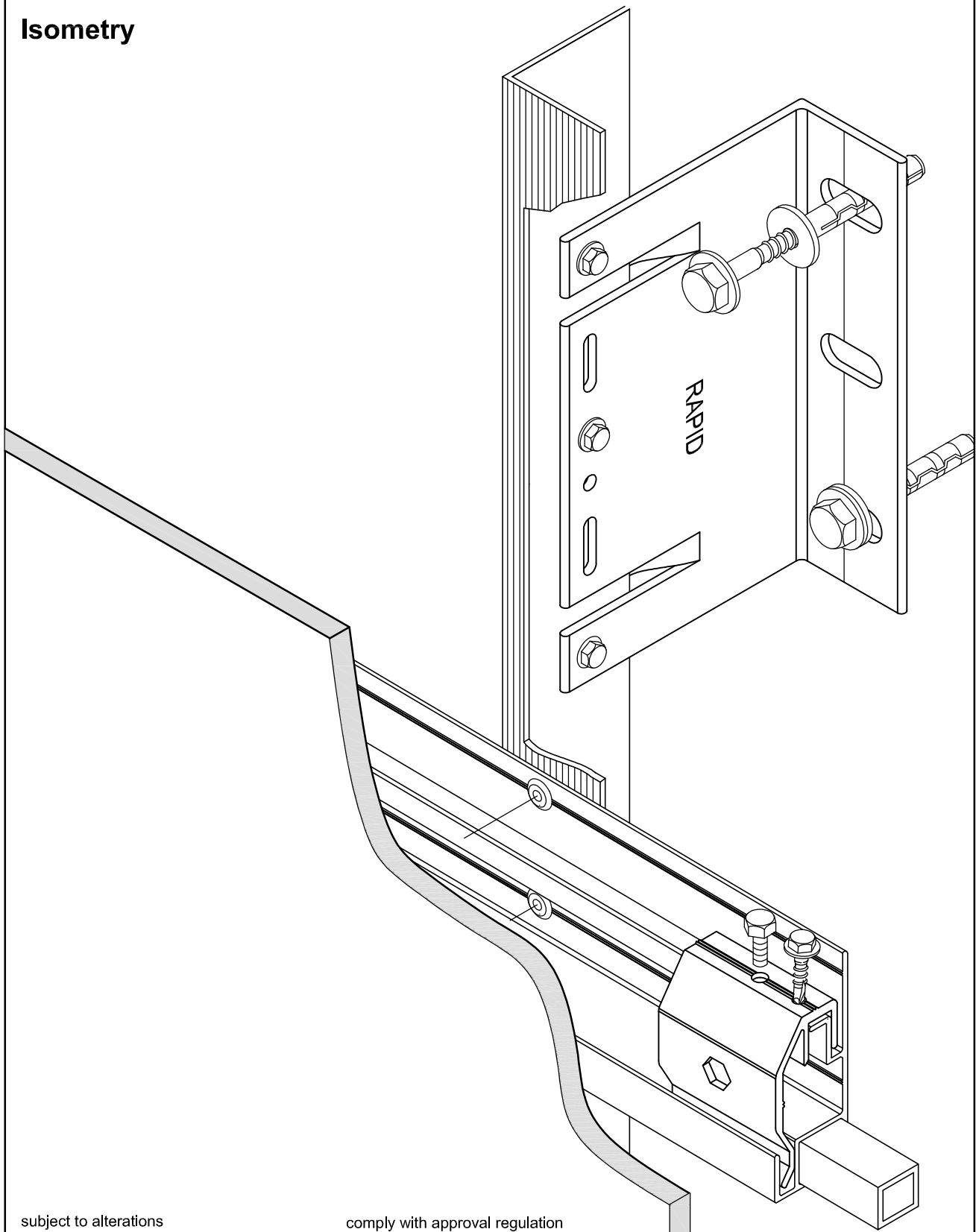


## Framework- System NFT-SL RAPID 850

large sized façade panels - invisible fixing - Horizontal profile "MIDI"

### Isometry



subject to alterations

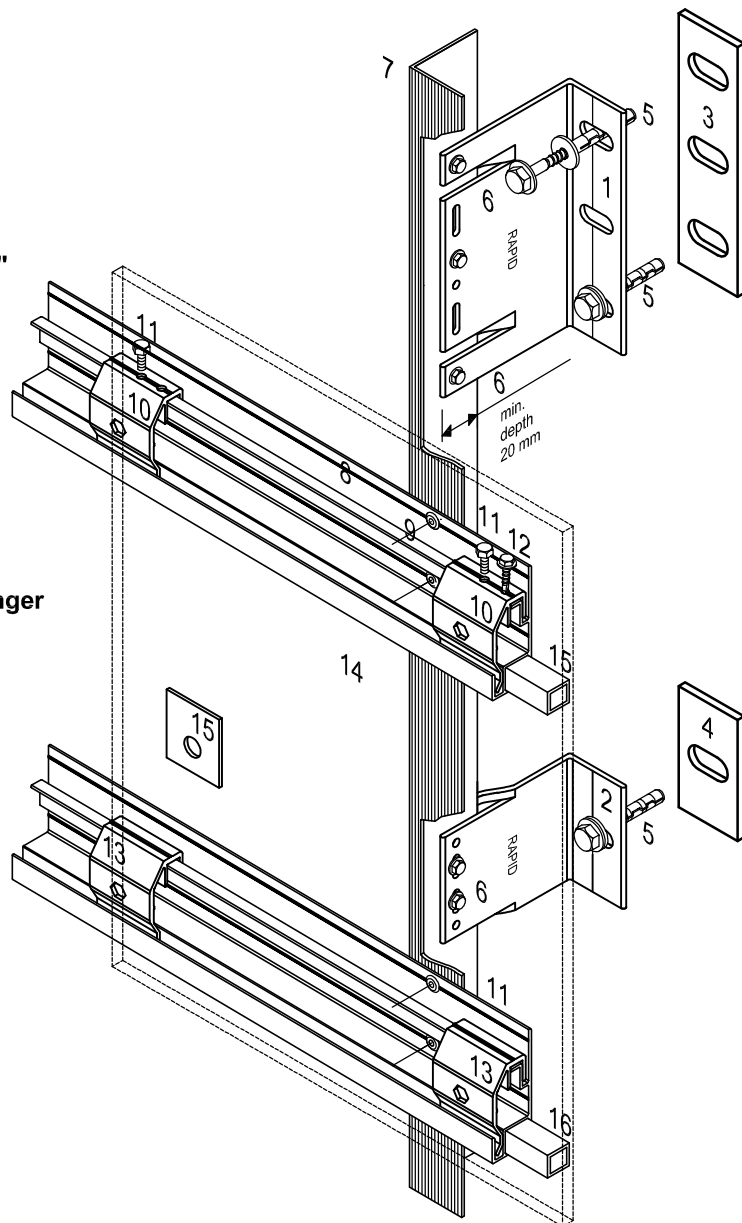
comply with approval regulation

## Framework - System NFT-SL RAPID 850

large sized façade panels - invisible fixing - Horizontal profile "MIDI"

### Isometry total

- 1 bracket RAPID-A, FP-A
- 2 bracket RAPID-A, GP-A
- 3 thermostop FP
- 4 thermostop GP
- 5 plug with special screw
- 6 selfdrilling screw
- 7 profile L
- 8 hanger profile horizontal "MIDI"
- 9 each 2 rivets
- 10 hanger, adjustable
- 11 hanger, adjustable and fixable
- 12 adjusting screw
- 13 selfdrilling screw to fix the panel only one fixing per panel!
- 14 hanger
- 15 by others: facade panel
- 16 plastic washer if necessary - one per each hanger
- 17 horizontal connector "MIDI"

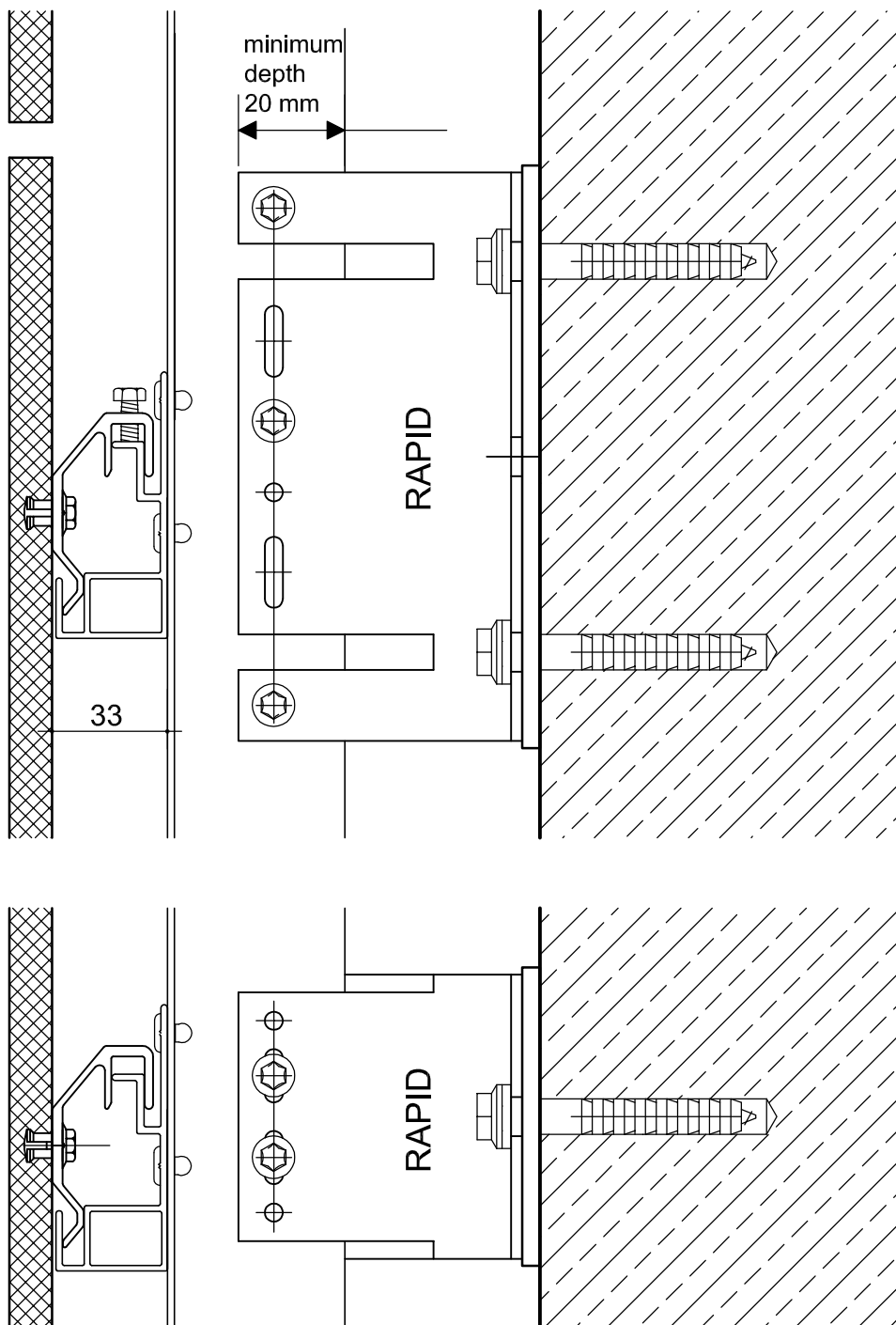


subject to alterations

comply with approval regulation

## Framework - System NFT-SL RAPID 850

large sized façade panels - invisible fixing - Horizontal profile "MIDI"  
**section vertical**



subject to alterations

comply with approval regulation